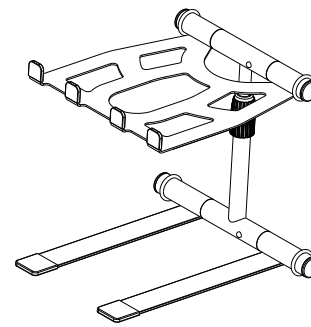
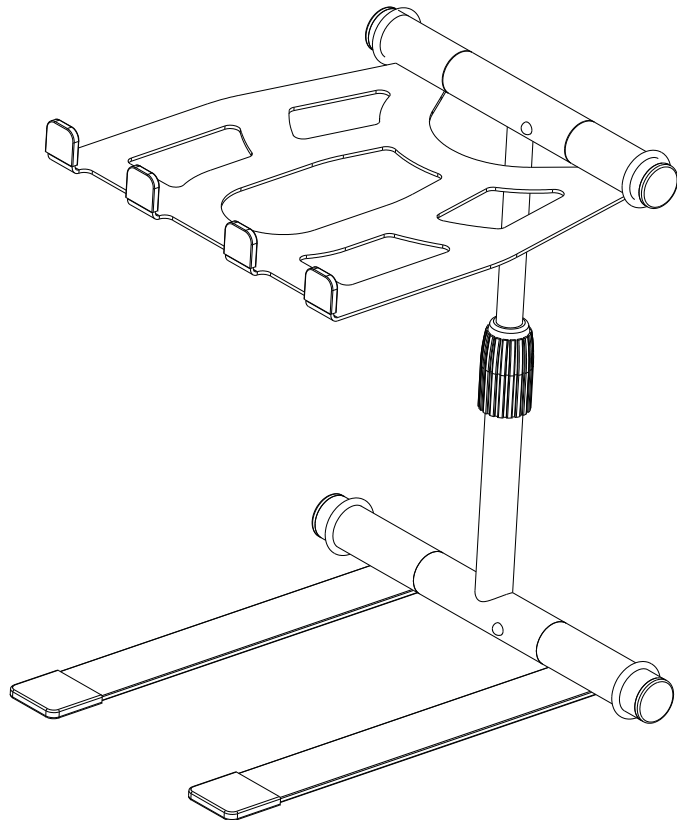


Thank you for purchasing the Novopro LS22M laptop / tablet multi stand



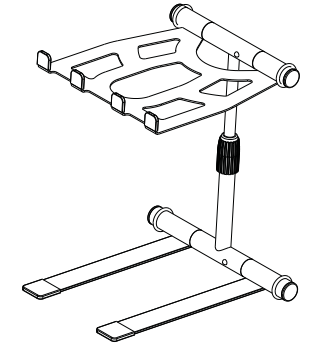
This user manual will help you to assemble this product safely & quickly, so please spend a few minutes to read through this assembly information.

Due to continuous product developments, please check for the latest updated version of this product manual at: www.novopro.co.uk



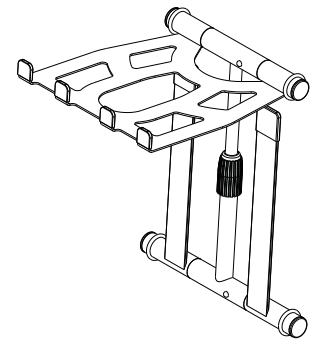
Step 1

Press retaining pins to unlock the support plates and adjust the stand to your personal setup. The locking clamp rotates anti-clockwise to loosen and adjust the stand to the required height.



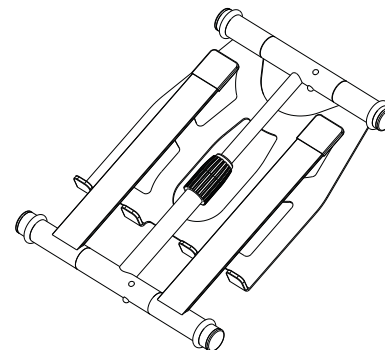
Step 2

Press retaining pin until legs fold up. retaining pin should pop into second hole, holding unit legs folded closed.



Step 3

Do the same with main shelf until completely folded.



Step 4

The LS22M is now flat packed and ready to transport inside the supplied carry bag.

More information is available on the LS22M, along with our complete product range at WWW.NOVOPRO.CO.UK